

**ECOWATER**  
SYSTEMS®



Your Water. Perfected.

Let us

**Perfect**

your water and

**Protect**

your plumbing.

# EcoProTechT

ECOWATER ANTI-SCALE SYSTEMS

## Environmental Choice for Water Treatment

### PTT™ Anti-Scale Media

Reduces hard water scale from forming in plumbing and appliances.

### Up-flow Design

Increases contact time with media for improved scale reduction and higher flow rates.

### By-pass Valve

Allows for easy maintenance and servicing.

### Coconut-Shell Carbon\*

Filters the water throughout the home without compromising water flow. Removes chlorine taste and odor and eliminates the need for separate carbon filter changes.

### Multi-Wrap Fiberglass Reinforced Tank with Limited Lifetime Warranty

Durable; doesn't deteriorate, rust, or corrode.

### Distributors

Distributors exhibit excellent flow rates.

### No Electricity

Simplifies installation, maintenance and reduces electrical hazards.

### No Salt or Added Chemicals Needed

Uses environmentally friendly "green" technology for areas with water or brine-discharge restrictions.

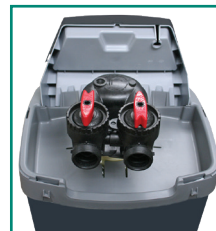
### Zero Waste Water

No backwashing required and zero discharge.

### Standard Plumbing Connection

1" NPT Male connection for easy installation. Larger 1-1/4" and 1-1/2" plumbing adapters available.

\*Available on ETF2302SM10C only



Back of System



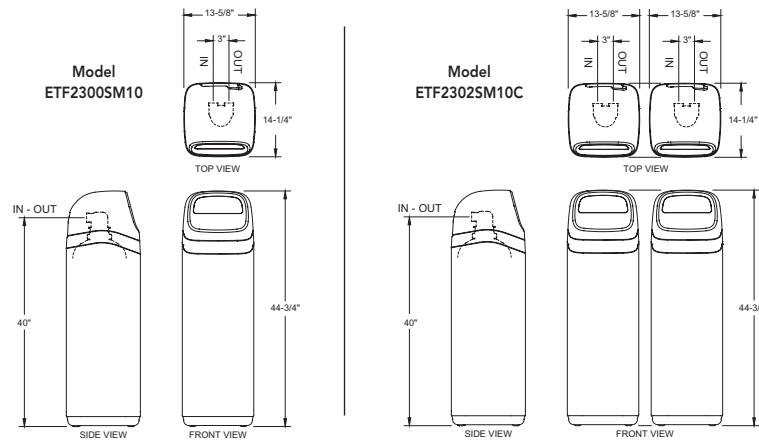
**EcoProTechT Plus**  
ETF2302SM10C  
(Two-Tank System)

**EcoProTechT**  
ETF2300SM10  
(Single Tank System)

 Designed, Engineered &  
Assembled in the U.S.A.

[ecowater.com](http://ecowater.com)

### DIMENSIONS



### SPECIFICATIONS

|   | ETF2300SM10             | ETF2302SM10C            |
|---|-------------------------|-------------------------|
| Nominal Mineral Tank Size                       | 10" dia. x 35" tall (1) | 10" dia. x 35" tall (2) |
| Service Flow Rate                               | 10 gpm                  | 10 gpm                  |
| Intermittent Flow Rate @ 15 psi Pressure Drop** | 20 gpm                  | 20 gpm                  |
| PTT™ Anti-Scale Media*                          | 24 lbs.                 | 24 lbs.                 |
| Coconut Shell Carbon                            | —                       | 14 lbs.                 |
| HDPE  | 3 lbs.                  | 6 lbs. (3 lbs./tank)    |
| Maximum Working Pressure (psi)                  | 125                     | 125                     |
| Water Temperature Limits (°F/°C)                | 40-120 / 4-49           | 40-120 / 4-49           |

\* PTT Media can be added to a system two times before system should be replaced or system re-bedded.

\*\* Intermittent flow rate does not represent the maximum service flow rate. Continuous operation at flow rates greater than the service flow rate may affect performance.

### WATER CHEMISTRY

|                        | ETF2300SM10  | ETF2302SM10C |
|------------------------|--------------|--------------|
| pH                     | 6.0 to 9.0   | 6.0 to 9.0   |
| Hardness (maximum)     | 25 grains    | 25 grains    |
| Chlorine               | <3 ppm       | <3 ppm       |
| Iron (maximum)         | 0.3 mg/L     | 0.3 mg/L     |
| Copper                 | none allowed | none allowed |
| Oil & H <sub>2</sub> S | none allowed | none allowed |
| Polyphosphate          | none allowed | none allowed |
| Silica (maximum)       | 10 ppm       | 10 ppm       |



Your Water. Perfected.



Tested and certified by the Water Quality Association under NSF/ANSI 372 standard for low lead content. Not certified for contaminant reductions by the Water Quality Association.

