

ECOWATER
SYSTEMS®



Your Water. Perfected.

Let us

Perfect
your water and

Maximize
your peace of mind.

ESS1102X

ECOWATER 1100 SERIES WATER SOFTENER

Enjoy Cleaner, Softer Water Throughout Your Home

- 1 Electronic Timer**
Electronic timer controls regeneration frequency. Full menu-driven options.
Six/Eight-Cycle Valve with Easy-Clamp Ring and Patented Coated Discs
- 2 Multi-Wrap Fiberglass Reinforced Resin Tank**
Durable fiberglass-wrapped tank liner, doesn't deteriorate, rust, or corrode.
- 3 Self-Cleaning Distributors**
Distributors exhibit excellent flow rates and are cleaned automatically by preventing clogging.
- 4 Brine Valve**
Controls water flow in and out of salt tank. Features automatic shut-off to prevent overfilling.
Ability to Choose Media for Custom Applications
Ships without media to give flexibility in providing solutions for different problem water situations.
Energy Efficient Power Supply
Simplifies installation, maintenance and reduces electrical hazards.



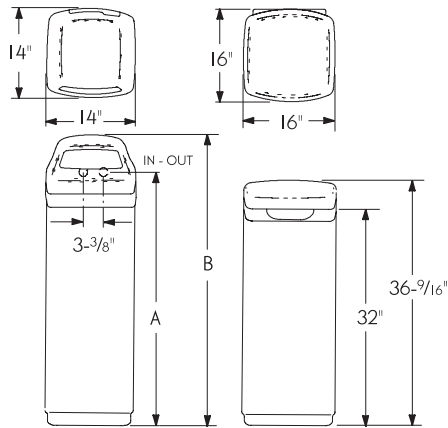
 Designed, Engineered &
Assembled in the U.S.A.

ecowater.com

ESS1102X

ECOWATER 1100 SERIES
WATER SOFTENER

DIMENSIONS



	ESS1102X R32
Nominal Resin Tank Size	10" Diam. x 47"
A	49 ³ / ₄ "
B	56 ⁵ / ₈ "

SPECIFICATIONS

ESS1102XR32

Supply Water Pressure Limits (psi) ¹	20-125
Supply Water Temperature Limits (°F/°C)	40-100 / 4-38
Service Flow Rate (gpm) ²	9
Approximate Water Used Each Regeneration (gal.) ³	41
Salt Storage Capacity (lbs.)	300
Electrical Requirement, 120V, 50/60Hz, (24V DC, 500 mA, power supply included)	

¹Maximum pressure for Canadian use is 7.0 kg/cm².


²Not to exceed 15 psi pressure loss


³When operated at 35 psi water pressure



Your Water. Perfected.



 **EcoWater Systems LLC**
P.O. Box 64420
St. Paul, MN 55164-0420

 **EcoWater Canada Ltd.**
5240 Bradco Blvd.
Mississauga, Ontario
Canada L4W 1G7

 **EcoWater Systems
Europe N.V.**
Geelseweg 56 2250 Olen
Belgium

 **Kunshan EcoWater Systems Co. Ltd.**
483 San Xiang Rd.
Kunshan, Jiangsu Province, PRC 215335